

Spare Parts List for **Bishamon** Hydraulic Stackers

Battery Powered Lifting Model (300kg~1000kg)

Model ST30E-WW

Model ST38E•STL38E

Model ST50E•STL50E•ST50E-WN

Model ST65E•STL65E

Model ST80E•ST80E-WW

Model ST100E•ST100E-WN

Note : For the units produced after July 2000
(No Pricing Shown)



ST100E-WN

Note :

Ask Bishamon for Export Model Info. of Hyd. Unit and Electric Components. Serial No. Info. would be Required. Some parts Info. shown in this Parts List could be only for Japanese market.

Contents

Hydraulic Stacker

Model ST30E-WW

Model ST38E·STL38E

Model ST50E·STL50E·ST50E-WN

Model ST65E·STL65E

Model ST80E·ST80E-WW

Model ST100E·ST100E-WN

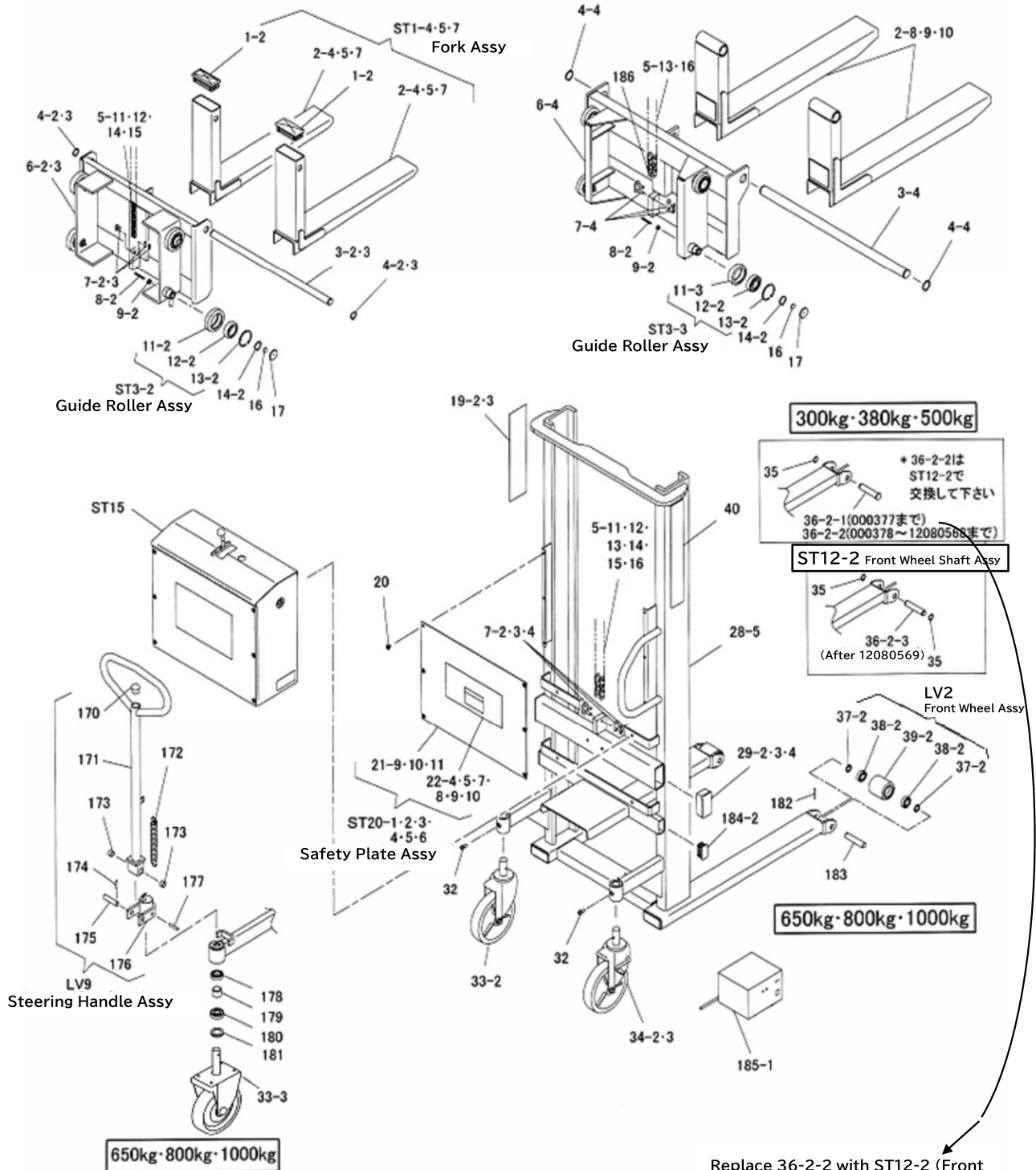
	Page		
1) Frame	2	~	5
2) Cylinder	6	~	9
3) Hyd. Unit	10	~	11
4) Wiring Info.	12	~	13

Battery Powered Lifting Model (300kg ~ 1000kg)

Frame

300kg··· ST30EWW
380kg··· ST38E·STL38E
500kg··· ST50E·STL50E·ST50EWN

650kg··· ST65E·STL65E
800kg··· ST80E·ST80EWW
1000kg··· ST100E·ST100EWN



Replace 36-2-2 with ST12-2 (Front Wheel Shaft Assy).
 36-2-1 (Before Serial 000377)
 36-2-2 (000378~12080568)

Frame

Battery Powered Lifting Model (300kg~1000kg.)

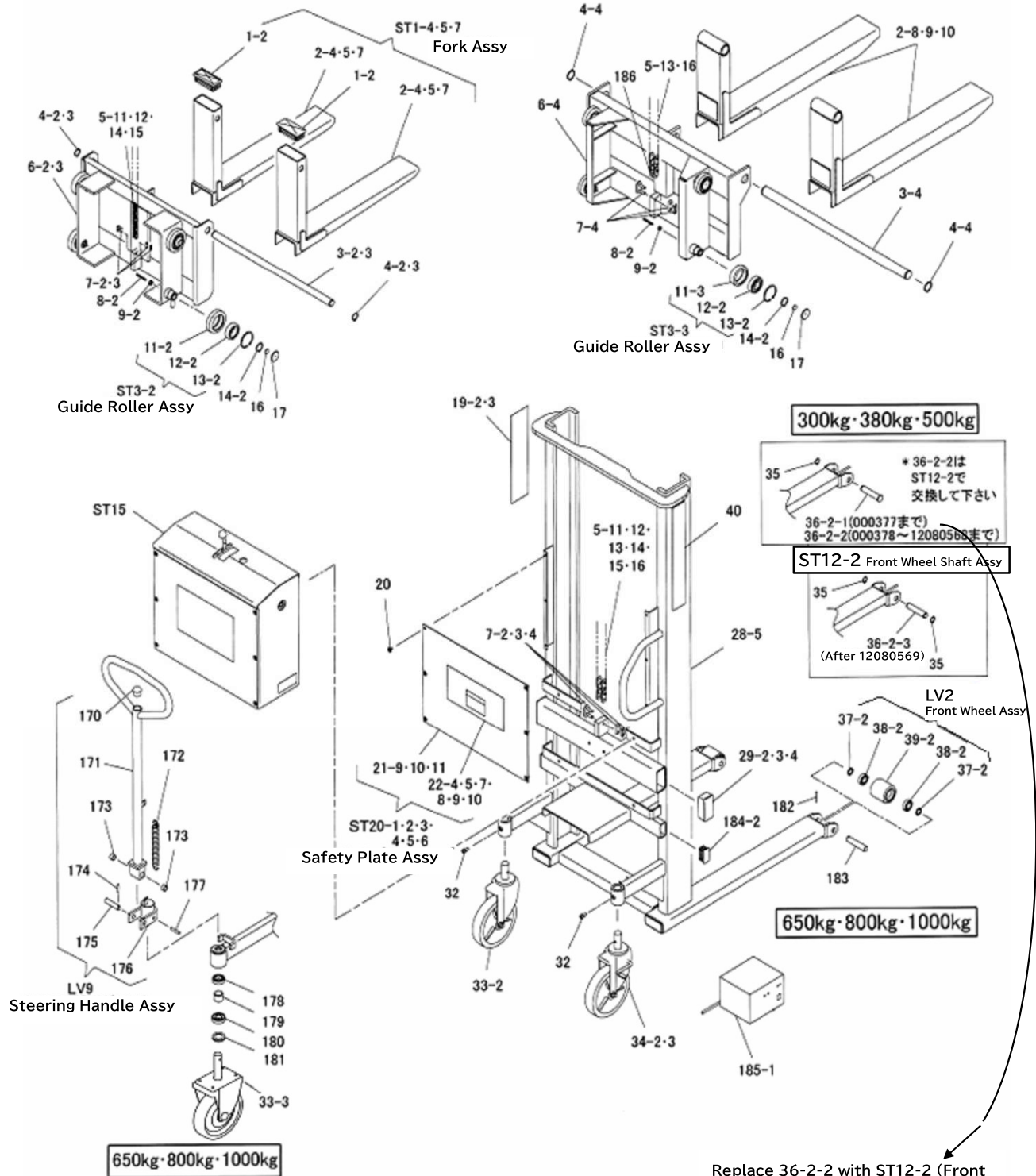
Ill. No.	Parts No.	Parts Name	Standard	Note & Change Date Info.	Qty/Unit						Price/ea.
					300kg	380kg	500kg	650kg	800kg	1000kg	
ST1-4	76009210	Fork Assy	(1-2・2-4)X2ea./set	ST38E・STL38E		1					
ST1-5	76009310	Fork Assy	(1-2・2-5)X2ea./set	ST50E・STL50E・ST50EWW			1				
ST1-7	76009900	Fork Assy	(1-2・2-7)X2ea./set	ST30EWW	1						
ST3-2-2	02603250	Guide Roller Assy	(11-2・12-2・13-2)	Old and New Compatible	4	4	4				
ST3-3	76009600	Guide Roller Assy	(11-3・12-2・13-2)					4	4	4	
ST15	N/A	Hyd. Unit Assy		Refer to P10 & P11	1	1	1	1	1	1	N/A
ST20-1	76010310	Safety Plate Assy	(21-9・22-4)			1					
ST20-2	76010410	Safety Plate Assy	(21-10・22-5)				1				
ST20-3	76010250	Safety Plate Assy	(21-10・22-7)		1						
ST20-4	76010210	Safety Plate Assy	(21-11・22-8)					1			
ST20-5	76010470	Safety Plate Assy	(21-11・22-9)						1		
ST20-6	76010510	Safety Plate Assy	(21-11・22-10)							1	
LV2	02585080	Front Wheel Assy	(37-2X2・38-2X2・39-2)	Old and New Compatible	2	2	2	2	2	2	
LV9	76005201	Steering Handle Assy	(170・171・173X2・174-176)					1	1	1	
ST12-2	76009230	Front Wheel Shaft Assy	(36-2-3・35X2)		2	2	2				
ST36	76009570	Fixed Caster Assy	(33-3・178~181)					1	1	1	
1-2	52603721	Fork Cap	110 x 49.5		2	2	2				
2-4	02603282	Fork		Color - Gray		2					
2-5	02605282	Fork		Color - Gray			2				
2-7	00233480	Fork		Color - Gray	2						
2-8	00185600	Fork		Color - Gray				2			
2-9	00187800	Fork		Color - Gray					2		
2-10	02608260	Fork		Color - Gray						2	
3-2	12603661	Fork Support Shaft				1					
3-3	12605661	Fork Support Shaft			1		1				
3-4	12608666	Fork Support Shaft						1	1	1	
4-2	80845013	Snap Ring	RR022			2					
4-3	80845015	Snap Ring	RR025		2		2				
4-4	80845022	Snap Ring	RR035					2	2	2	
5-11	80832083	Roller Chain	RS50-83L with Joint Link	ST38E		1					
5-12	80833071	Roller Chain	RS60-71L with Joint Link	ST50E・ST30EWWW・ST50EWN	1		1				
5-13	80833553	Roller Chain	RS80-53L with Joint Link	ST65E・80E・100E・ST80EWW・ST100EWN				1	1	1	
5-14	80832065	Roller Chain	RS50-65L with Joint Link	STL38E		1					
5-15	80833055	Roller Chain	RS50-60L with Joint Link	STL50E			1				
5-16	80833545	Roller Chain	RS80-45L with Joint Link	STL65E				1			
6-2	02603212	Carriage				1					
6-3	02605212	Carriage			1		1				
6-4	02608213	Carriage						1	1	1	
7-2	80839301	Joint Link	RS50			2					
7-3	80839321	Joint Link	RS60		2		2				
7-4	80839343	Joint Link	RS80					2	2	2	
8-2	90960650	Hex Socket Head Cap Screw	HSS0650		4	4	4	4	4	4	
9-2	90930106	Hex Nut	HN06SE		4	4	4	4	4	4	
11-2	12603601	Guide Roller			4	4	4				
11-3	12603600	Guide Roller						4	4	4	
12-2	81046206	Bearing	6206ZZ		4	4	4	4	4	4	
13-2	80846036	Snap Ring	RR162		4	4	4	4	4	4	
14-2	80845019	Snap Ring	RR030		4	4	4	4	4	4	
16	12603681	Shoe Collar			4	4	4	4	4	4	
17	10593980	Side Shoe			4	4	4	4	4	4	
19-2	52003035	Bishamon Label 280			1	1	1				
19-3	51311024	Bishamon Label						1	1	1	
20	80821824	Scrivet (3820)			6	6	6	6	6	6	
21-9	11138060	Safety Plate				1					
21-10	11139300	Safety Plate			1		1				
21-11	11140940	Safety Plate						1	1	1	
22-4	11128720	Capacity Label	380kg with Load Center Diagram			1					
22-5	11130420	Capacity Label	500kg with Load Center Diagram				1				
22-7	11161700	Capacity Label	300kg with Load Center Diagram		1						
22-8	11135920	Capacity Label	650kg with Load Center Diagram					1			
22-9	11137540	Capacity Label	800kg with Load Center Diagram						1		
22-10	11131840	Capacity Label	1000kg with Load Center Diagram							1	

Battery Powered Lifting Model (300kg ~ 1000kg)

Frame

300kg··· ST30EWW
380kg··· ST38E·STL38E
500kg··· ST50E·STL50E·ST50EWN

650kg··· ST65E·STL65E
800kg··· ST80E·ST80EWW
1000kg··· ST100E·ST100EWN



Replace 36-2-2 with ST12-2 (Front Wheel Shaft Assy).
 36-2-1 (Before Serial 000377)
 36-2-2 (000378~12080568)

Frame

Battery Powered Lifting Model (300kg~1000kg.)

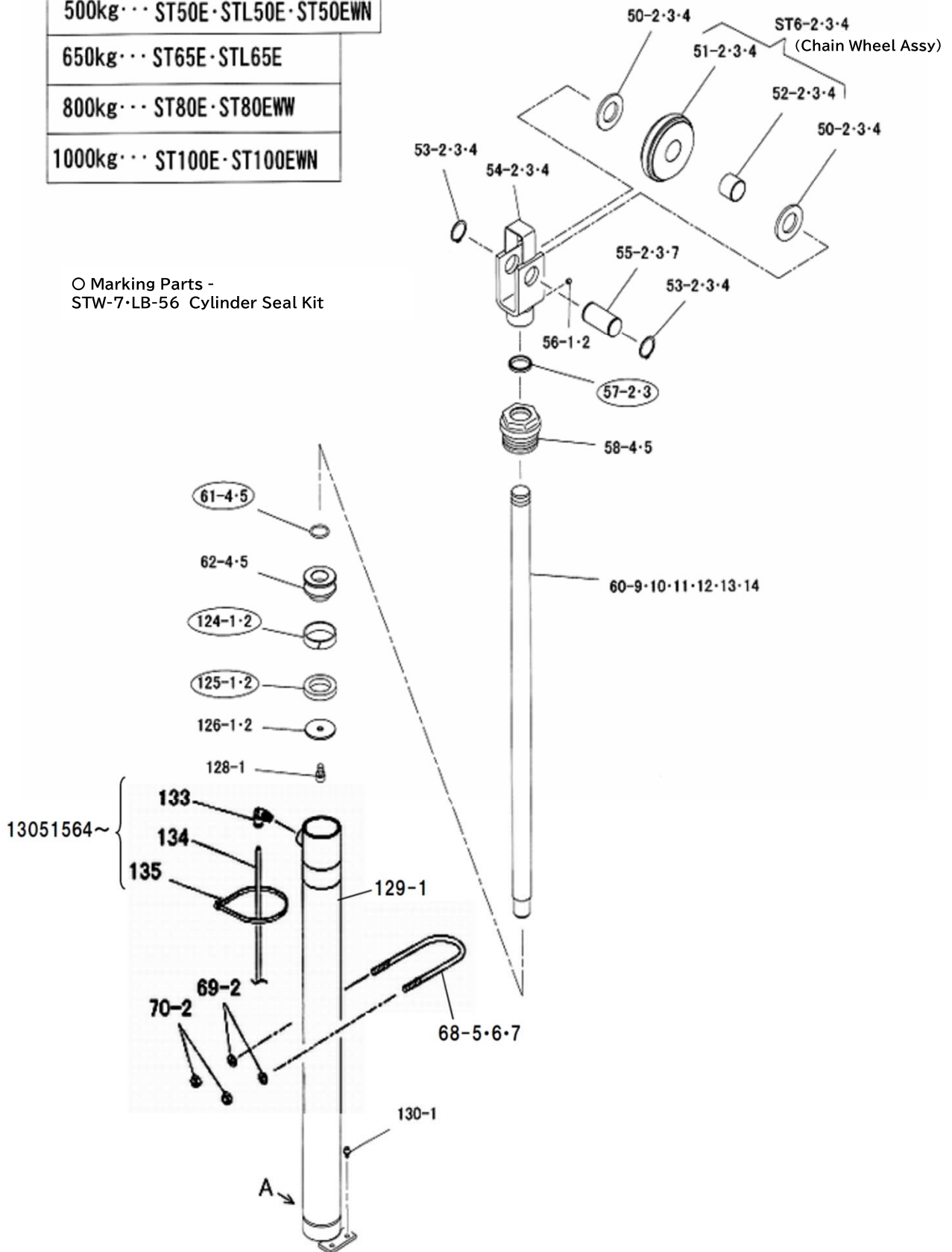
Ill.No.	Parts No.	Parts Name	Standard	Note & Change Date Info.	Qty/Unit						Price/ea.
					300kg	380kg	500kg	650kg	800kg	1000kg	
28-5	N/A	Frame (Not available because Frame is structural parts)			1	1	1	1	1	1	N/A
29-2	52601721	Fork Cap (60 x 30 Daisho)	After Apr.2004	Old and New Compatible		2					
29-3	80821859	Rectangular Cap	B-176 (Daisho)		2		2				
29-4	80821858	Rectangular Cap	108-21452 Taiyo					2	2	2	
32	90760820	Hex Socket Head Cap Bolt	HSBS0820		2	2	2	1	1	1	
33-2	85000976	Flexible Caster	150UWJS	Old and New Compatible	1	1	1				
33-3	85000851	Fixed Caster	200UWKS	Old and New Compatible				1	1	1	
34-2	85000971	Flexible Caster with Brake	150UWJSB	Old and New Compatible	1	1	1				
34-3	85000862	Flexible Caster with Brake	200UWJSB	Old and New Compatible				1	1	1	
35	80845011	Snap Ring	RR020	Qty was changed after 12080569	2 → 4						
36-2-1	12603263	Front Wheel Shaft	L=100 for 6mm Bracket	Before 000377	2	2	2				
36-2-2	N/A	Front Wheel Shaft	L= 96 for 4.5mm Bracket	(000378~12080568) Replace with ST12-2 (Page 3)	2	2	2				N/A
36-2-3	12603280	Front Wheel Shaft	L= 96 for 4.5mm Bracket	After 12080569	2	2	2				
37-2	12604680	Pulley Shaft Collar		Old and New Compatible	4	4	4	4	4	4	
38-2	81046004	Bearing	6004ZZ	Old and New Compatible	4	4	4	4	4	4	
39-2	N/A	Front Wheel	V70X73	Replace with LV2-2 (Page 3)	2	2	2	2	2	2	N/A
40	52603420	Product Name Label			1	1	1	1	1	1	
170	80821819	Cap	B-44BL Round					1	1	1	
171	22594160	Steering Handle						1	1	1	
172	50703060	Arm Return Spring						1	1	1	
173	81916201	Arm Bushing	16X20X14					2	2	2	
174	90980535	Roll Pin	SRP0535					1	1	1	
175	12594181	Handle Shaft						1	1	1	
176	02594171	Handle Boss						1	1	1	
177	90980845	Roll Pin	SRP0845					1	1	1	
178	81036005	Bearing	6005Z					1	1	1	
179	12603340	Bearing Spacer						1	1	1	
180	81230205	Taper Roller Bearing	30205					1	1	1	
181	12589390	Caster Collar						1	1	1	
182	90980545	Roll Pin	SRP0545					2	2	2	
183	12032333	Bogie Wheel Axle						2	2	2	
184-2	52601721	Fork Cap (60 x 30 Daisho)		Old and New Compatible	2	2	2	2	2	2	
185-1		Battery Charger		Ask Bishamon for info. for Export Model	1	1	1	1	1	1	Ask
186	80839604	Off Set Link	RS80					1	1	1	

Battery Powered Lifting Model (300kg ~ 1000kg)

Cylinder

300kg··· ST30EWW
380kg··· ST38E·STL38E
500kg··· ST50E·STL50E·ST50EWN
650kg··· ST65E·STL65E
800kg··· ST80E·ST80EWW
1000kg··· ST100E·ST100EWN

○ Marking Parts -
STW-7·LB-56 Cylinder Seal Kit

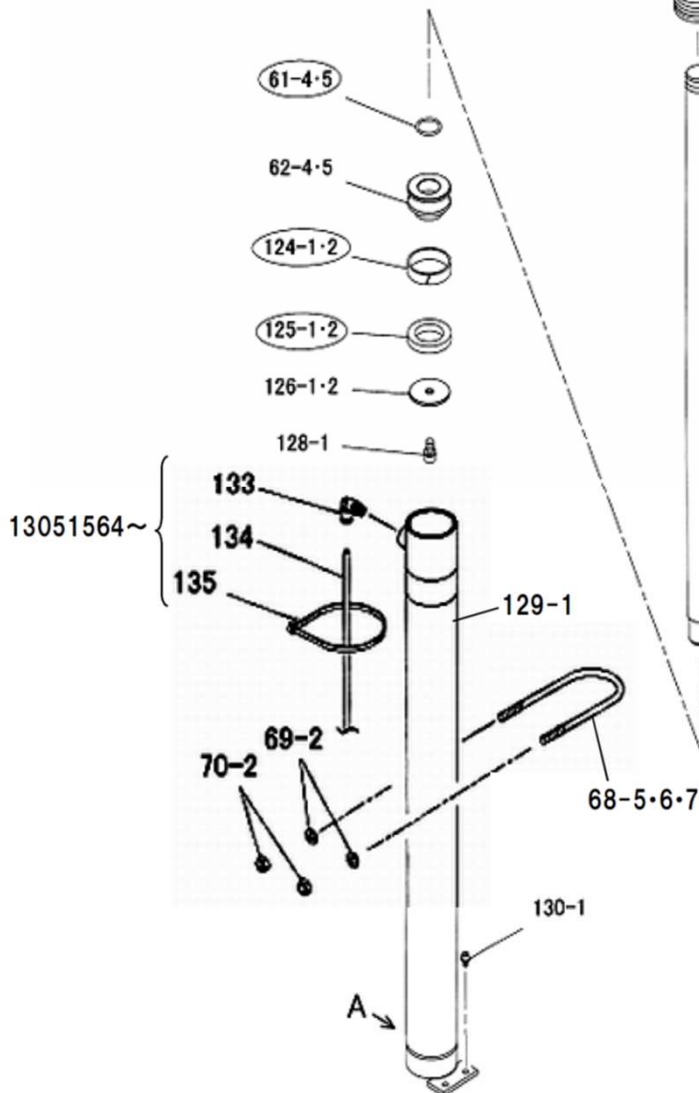
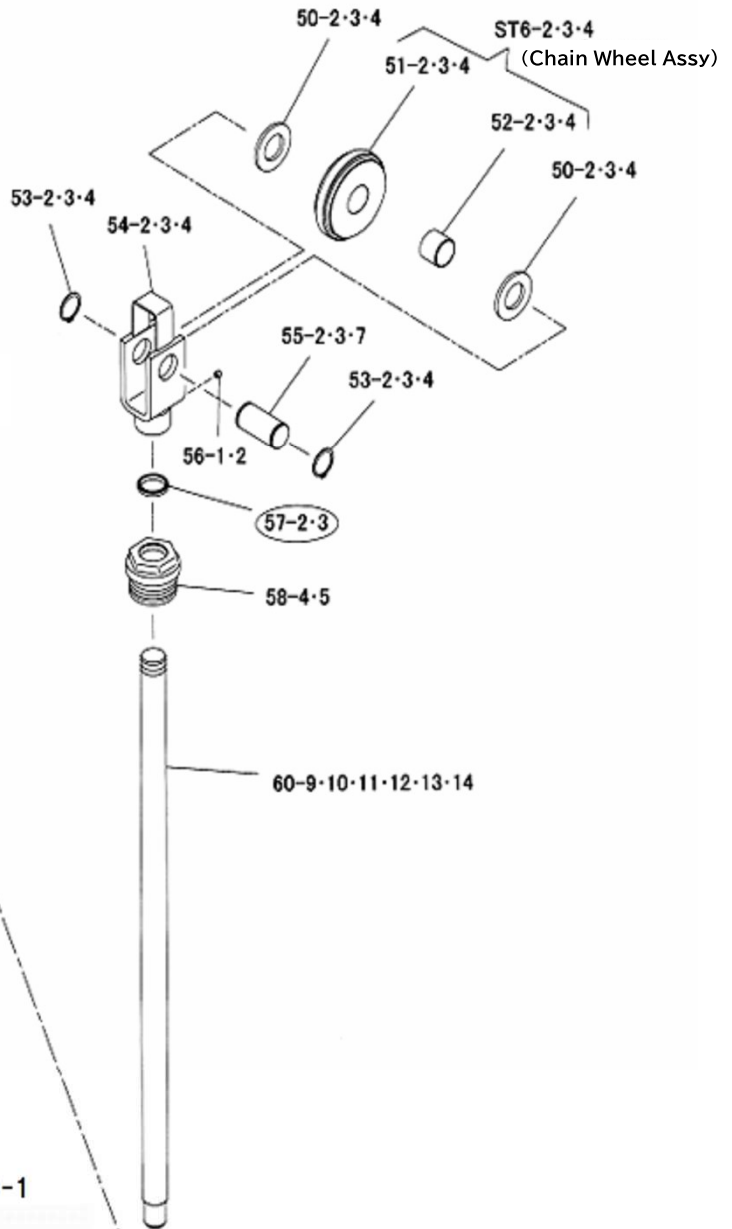


Battery Powered Lifting Model (300kg ~ 1000kg)

Cylinder

300kg··· ST30EWW
380kg··· ST38E·STL38E
500kg··· ST50E·STL50E·ST50EWN
650kg··· ST65E·STL65E
800kg··· ST80E·ST80EWW
1000kg··· ST100E·ST100EWN

○ Marking Parts -
STW-7·LB-56 Cylinder Seal Kit



Cylinder

Battery Powered Lifting Model (300kg~1000kg.)

Ill. No.	Parts No.	Parts Name	Standard	Note & Change Date Info.	Qty/Unit						Price/ea.	
					300kg	380kg	500kg	650kg	800kg	1000kg		
60-9-1	11138220	Piston Rod	Before 07060916	ST38E		1						
60-9-2	11138221	Piston Rod	After 07060917	ST38E		1						
60-10-1	11139400	Piston Rod	Before 07050966	ST50E · ST30EWW · 50EWN	1		1					
60-10-2	11139401	Piston Rod	After 07050967	ST50E · ST30EWW · 50EWN	1		1					
60-11-1	11141020	Piston Rod	Before 07020720	ST65E · 80E · 100E · ST80EWW · 100EWW				1	1	1		
60-11-2	11141021	Piston Rod	After 07020721	ST65E · 80E · 100E · ST80EWW · 100EWW				1	1	1		
60-12-1	11138780	Piston Rod	Before 07020838	STL38E		1						
60-12-2	11138781	Piston Rod	After 07020839	STL38E		1						
60-13-1	11139920	Piston Rod	Before 07020838	STL50E			1					
60-13-2	11139921	Piston Rod	After 07020839	STL50E			1					
60-14-1	11140420	Piston Rod	Before 08021143	STL65E				1				
60-14-2	11140421	Piston Rod	After 08021144	STL65E				1				
61-4	80800016	O Ring	P16		1	1	1					
61-5	80800030	O Ring	P30					1	1	1		
62-4	12671570	Piston			1	1	1					
62-5	12594350	S Piston						1	1	1		
68-5	12600350	Cylinder Holder				1						
68-6	12600550	Cylinder Holder			1		1					
68-7	11141030	Cylinder Holder						1	1	1		
69-2	90930108	Hex Nut	HN08SE		2	2	2	2	2	2		
70-2	90930508	Spring Washer	SW08SE		2	2	2	2	2	2		
124-1	80804045	Wearing	SW-45 Sakagami		1	1	1					
124-2	80804060	Wearing	SW-60 Sakagami					1	1	1		
125-1	80801532	U Packing	KY-32 Sakagami		1	1	1					
125-2	80801541	U Packing	KY604012 Sakagami					1	1	1		
126-1	12696570	Piston Washer			1	1	1					
126-2	12594360	Packing Holder						1	1	1		
128-1	90761020	Hex Socket Head Cap Bolt	HSBS1020		1	1	1	1	1	1		
129-1	N/A	Cylinder			1	1	1	1	1	1		N/A
130-1	90760612	Hex Socket Head Cap Bolt	HSBS0612		2	2	2	2	2	2		
133	80817225	Elbow Union	ZL-061		1	1	1	1	1	1		
134-1	11138300	Overflow Tube	F1506-695 Aoi After 13051564	ST38E		1						
134-2	11139440	Overflow Tube	F1506-760 Aoi After 13051564	ST30EWW · ST50EWN · ST50E	1		1					
134-3	11141160	Overflow Tube	F1506-815 Aoi After 13051564	ST65E · ST80E · ST100E · STL65E				1	1	1		
134-4	11138820	Overflow Tube	F1506-575 Aoi After 13051564	STL38E · STL50E		1	1					
135	80825295	Plastic Strap	CV-300	1ea. (Cylinder), 2ea. (Hyd. Unit)	3	3	3	3	3	3		

Battery Powered Lifting Model (300kg ~ 1000kg)

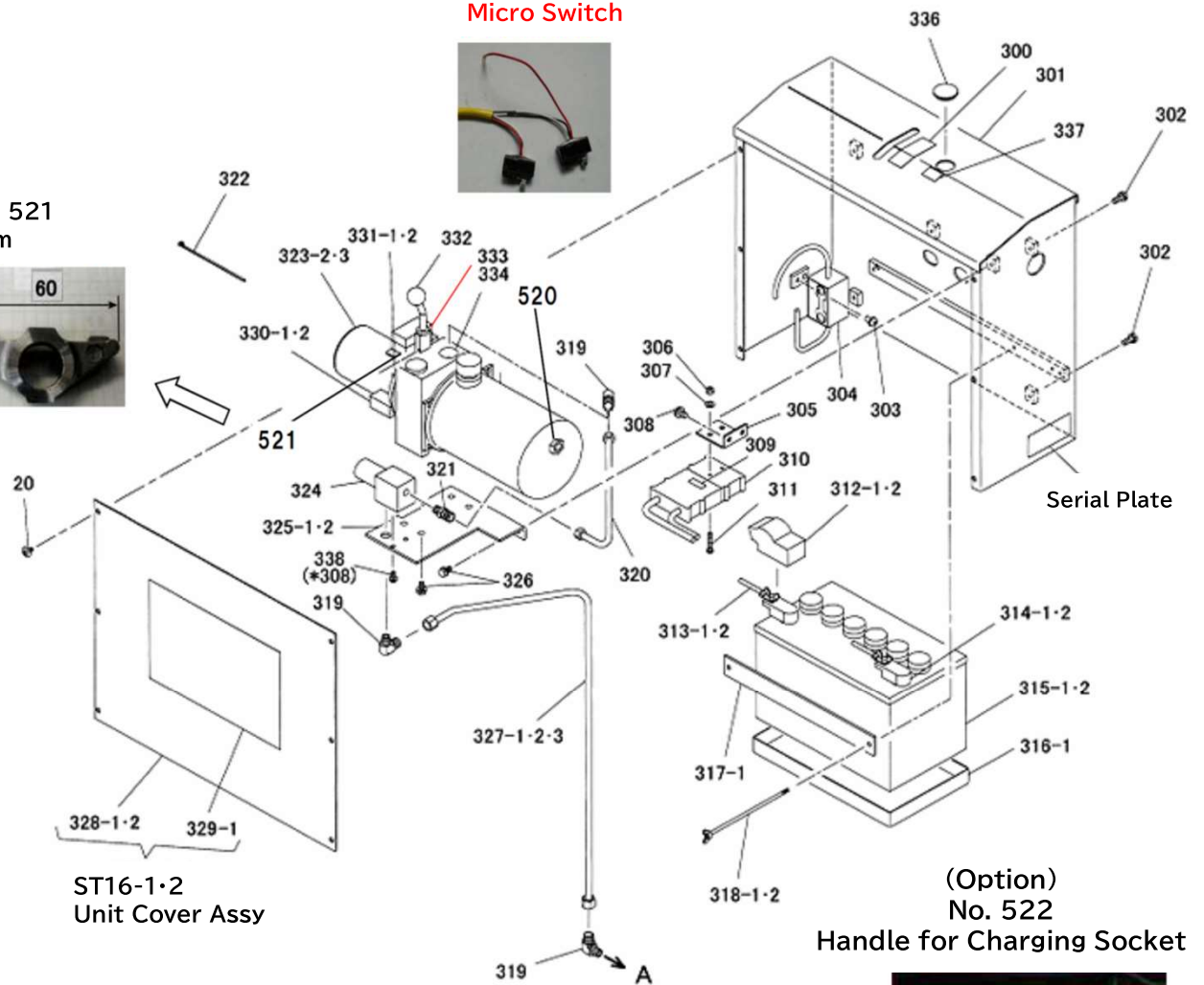
Hyd. Unit

300kg··· ST30EWW
380kg··· ST38E·STL38E
500kg··· ST50E·STL50E·ST50EWN
650kg··· ST65E·STL65E
800kg··· ST80E·ST80EWW
1000kg··· ST100E·ST100EWN

No. 333
Micro Switch



No. 521
Cam



ST16-1-2
Unit Cover Assy

(Option)
No. 522
Handle for Charging Socket

Serial No. Info. for No. 308 Qty Change
 ST38E·STL38E·ST100EWN·ST30EWW - Before 07060107
 ST50E·STL50E·ST50EWN - Before 07060679
 ST65E·STL65E·ST80E·ST80EWW·ST100E - Before 07070464



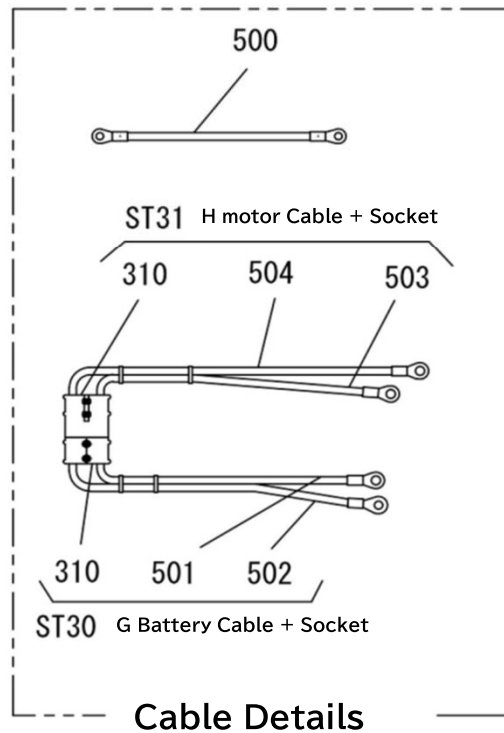
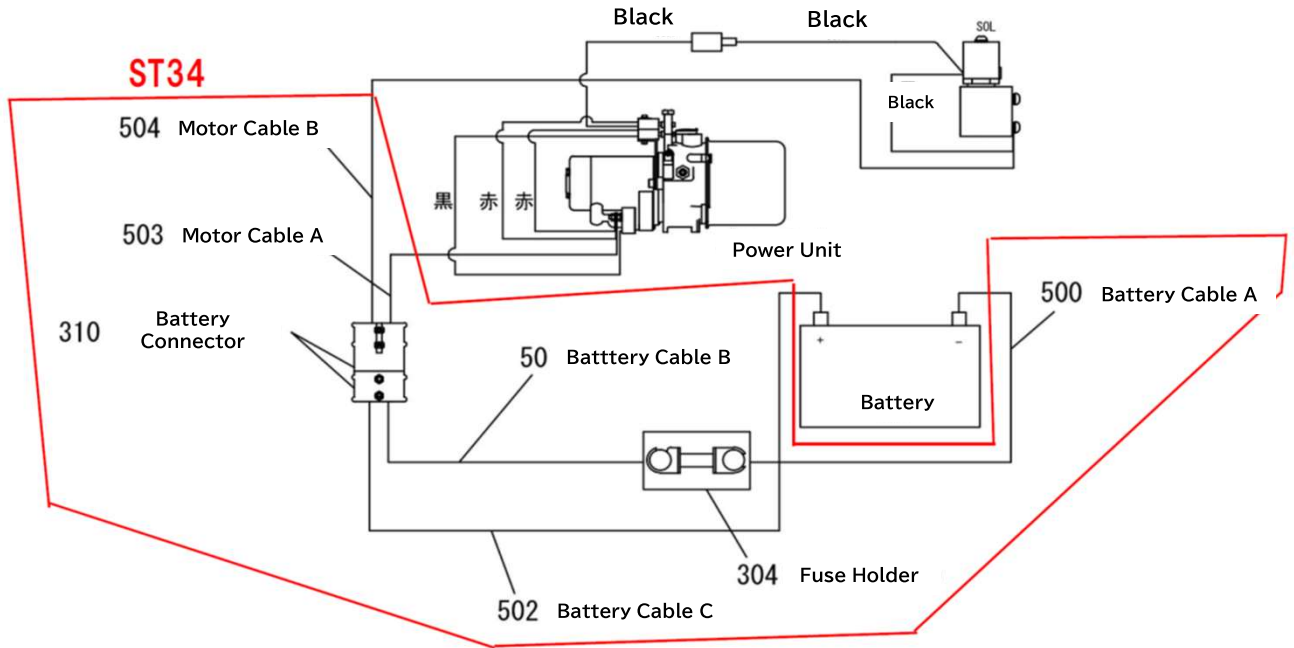
Hyd. Unit

Battery Powered Lifting Model (300kg~1000kg.)

Ill.No.	Parts No.	Parts Name	Standard	Note & Change Date Info.	Qty/Unit						Price/ea.
					300kg	380kg	500kg	650kg	800kg	1000kg	
ST15	N/A	Hyd. Unit Assy	(20・300-338)	Not to be supplied	1	1	1	1	1	1	N/A
ST16-1	76010440	Unit Cover Assy	(328-1・329-1)		1	1	1				
ST16-2	76010540	Unit Cover Assy	(328-2・329-1)					1	1	1	
20	80821824	Scrivet	3820		6	6	6	6	6	6	
300	12600400	Function Label			1	1	1	1	1	1	
301	N/A	Unit Case (Assy)		Not to be supplied	1	1	1	1	1	1	N/A
302	90890820	Hex Bolt with Washer	HBS0820SE		3	3	3	4	4	4	
303	90800815	Round Head Screw	MSRS0815SE		1	1	1	1	1	1	
304	80819681	Fuse Holder	E110B-100A		1	1	1	1	1	1	
	80819691	Fuse	100A		1	1	1	1	1	1	
305	12593440	Connector Fixing Plate			1	1	1	1	1	1	
306	90930106	Hex Nut	HNO6SE		2	2	2	2	2	2	
307	90930506	Spring Washer	SWO6SE		2	2	2	2	2	2	
308	90800610	Round Head Screw	MSRS0610SE Qty was changed after 07060108		4 → 2						
309	52594420	Charging Inlet Label			1	1	1	1	1	1	
310	80819951	Battery Connector	CB175 P/N 149112		2	2	2	2	2	2	
311	90940635	Pan Head Screw	MSRO635SE		2	2	2	2	2	2	
312-1	52600371	Terminal Cover (Small) R	55B24R			1					
312-2	52600571	Terminal Cover (Large) R			1		1	1	1	1	
313-1	80819911	Battery Terminal	NX100 +(NP. 11P)			1					
313-2	80819900	Battery Terminal	No. 9P+		1		1	1	1	1	
314-1	80819931	Battery Terminal	NX100 -(NP. 11N)		1		1	1	1	1	
314-2	80819901	Battery Terminal	No. 9N-		1		1	1	1	1	
315-1	80819810	Battery	GR-55B24R (NX100-S6)			1					
315-2	80819811	Battery	GR-95D31R (NX120-7)		1		1	1	1	1	
316-1	52600591	Battery Plate			1	1	1	1	1	1	
317-1	12624821	Battery Clamp Plate			1	1	1	1	1	1	
318-1	02600370	Battery Fixing Bolt				2					
318-2	02624450	Battery Fixing Bolt			2		2	2	2	2	
319	80813910	90° Elbow	HS-E1-10X1/4		3	3	3	3	3	3	
320	76010330	Pressure Pipe B Assy	with Sleeve and Nut		1	1	1	1	1	1	
321	80814910	Connector	HS-S-10X1/4		1	1	1	1	1	1	
322	80825291	Plastic Strap	CV-150 Qty was changed after 08031721		1 → 2						
323-1	70819641	Power Pack	DCCA1.7F207AC1H 426L			1					
323-2	70819642	Power Pack	DCCA1.7F207AC1H 426L		1		1				
323-3-1	80819553	Power Pack	DCCA1.7F210AC3H 427H	Before 11121511				1	1	1	
323-3-2	80819554	Power Pack	DCCA1.7S210AC3H 024H	After 11121512				1	1	1	
324	80819405	Solenoid Valve Assy	958-22-12S		1	1	1	1	1	1	
325-1	N/A	Unit Base (No knotching)	Before 08051169	Compatible with 325-3	1	1	1	1	1	1	N/A
325-2	N/A	Unit Base (W/knotching)	(08051170 - 11121511)	Compatible with 325-3	1	1	1	1	1	1	N/A
325-3	12594492	Unit Base (W/knotching)	50X140	(11121512 - 13101529)	1	1	1	1	1	1	
325-4	12594493	Unit Base (W/knotching)	50X140	After 13101530	1	1	1	1	1	1	
326	90890815	Hex Bolt with Washer	HBS0815SE		6	6	6	6	6	6	
327-1-1	76010320	Pressure Pipe A Assy	with Sleeve and Nut	Before 08051169		1					
327-1-2	76010321	Pressure Pipe A Assy	with Sleeve and Nut	After 08051170		1					
327-2-1	76010420	Pressure Pipe A Assy	with Sleeve and Nut	Before 08051169	1		1				
327-2-2	76010421	Pressure Pipe A Assy	with Sleeve and Nut	After 08051170	1		1				
327-3-1	76010520	Pressure Pipe A Assy	with Sleeve and Nut	Before 08051169				1	1	1	
327-3-2	76010521	Pressure Pipe A Assy	with Sleeve and Nut	After 08051170				1	1	1	
328-1	11138260	Unit Cover Front			1	1	1				
328-2	11141080	Unit Cover Front						1	1	1	
329-1	11128740	Caution Label	in English		1	1	1	1	1	1	
330-1	80819409	Contacto	(used for 323-1・2)		1	1	1				
330-2-1	N/A	Contacto (used for 323-3・1)	Before 11121511	Replace with 330-2-3				1	1	1	N/A
330-2-2	70819409	Contacto	(used for 323-3-2)	After 11121512				1	1	1	
330-2-3	70819404	Contacto	(used for 323-3-1)	Before 11121511				1	1	1	
331-1	24998376	Carbon Brushing	(used for 323-1・2) 4ea./set		1	1	1				
331-2	24998377	Carbon Brushing	(used for 323-3) 4ea./set					1	1	1	
332	24997600	Lever Assy with Grip Ball			1	1	1	1	1	1	
333	80819398	Micro Switch	Z-15GW 2255-MD (for lifting)	2ea./set	1	1	1	1	1	1	
334	76011110	Power Pack Lever Spring			1	1	1	1	1	1	
336	80821802	Rubber Cap	0B-13 (Black)	After 000474	1	1	1	1	1	1	
337	11138270	Oil Filling Port Label		After 000474	1	1	1	1	1	1	
338	90780615	Round Head Screw	MSRPS0615SE	After 07060108	2	2	2	2	2	2	
520	76011210	Plug Assy			1	1	1	1	1	1	
521	76011140	Cam			1	1	1	1	1	1	
522	24008990	Charging Socket Handle	(Option)		1	1	1	1	1	1	

Battery Powered Lifting Model

Wiring Info.



Bishamon



Sugiyasu Corporation

3-21, 4-Chome, Hongo-Cho, Takahama City,
Aichi, Japan 444-1394

Tel. 81-566-53-1126, Fax. 81-566-53-1844
<http://www.bishamon.co.jp/>